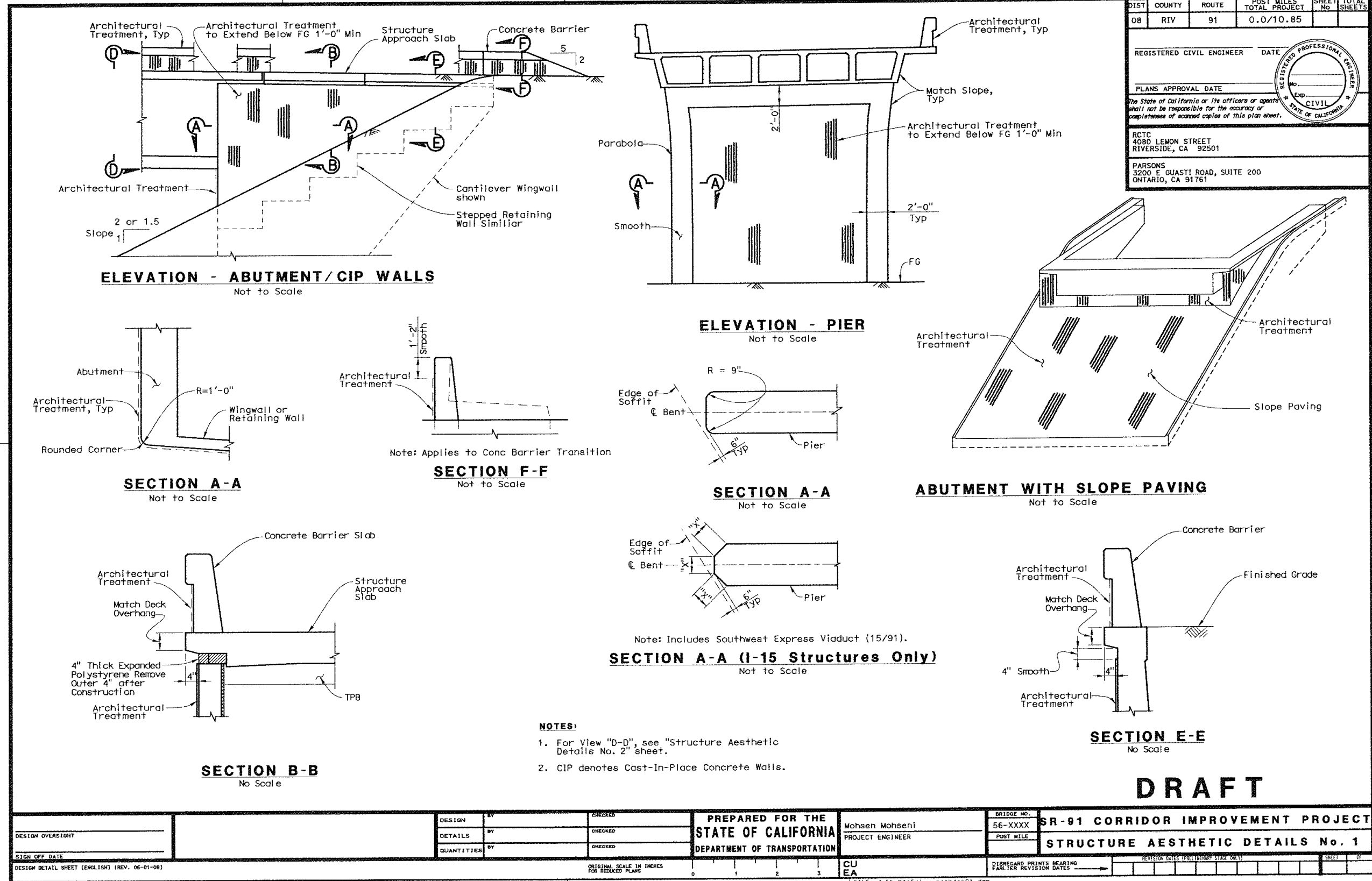
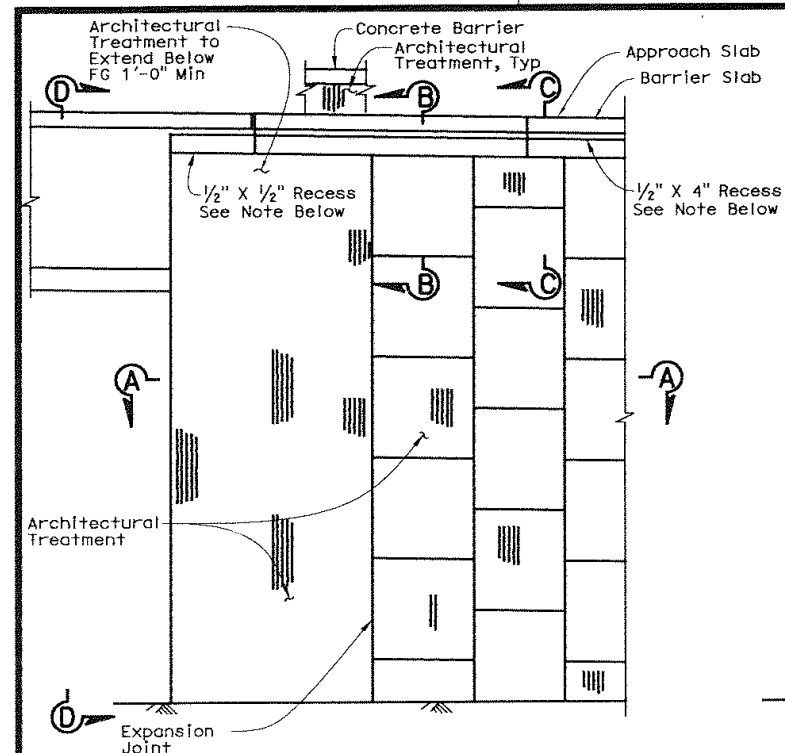
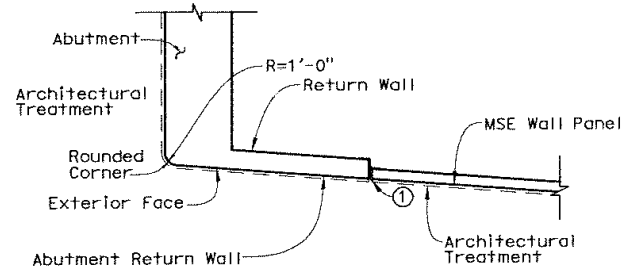

TP ATTACHMENT 14-1 – STRUCTURE AESTHETIC DETAILS



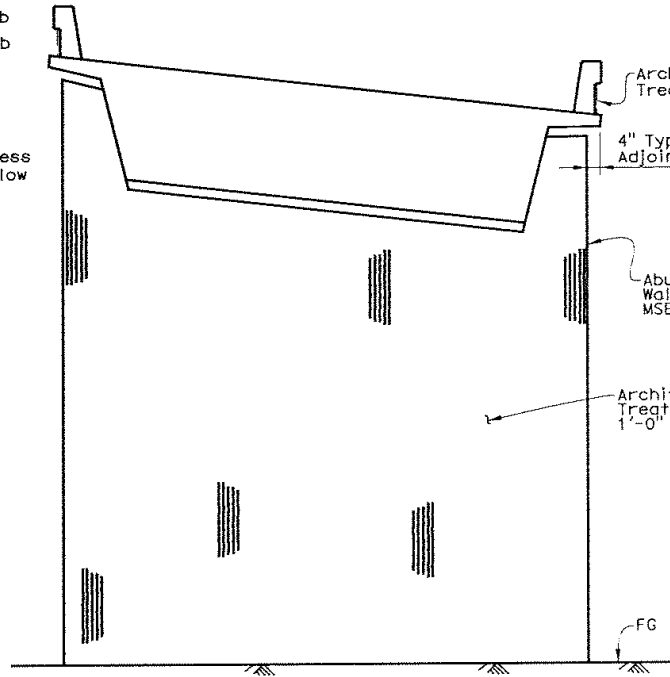


ELEVATION - ABUTMENT/MSE WALLS
Not to Scale

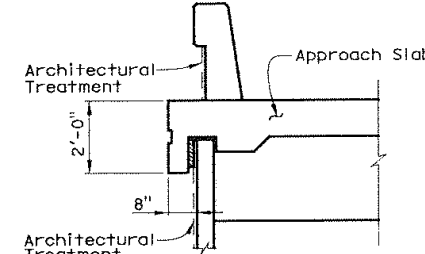


SECTION A-A
Not to Scale

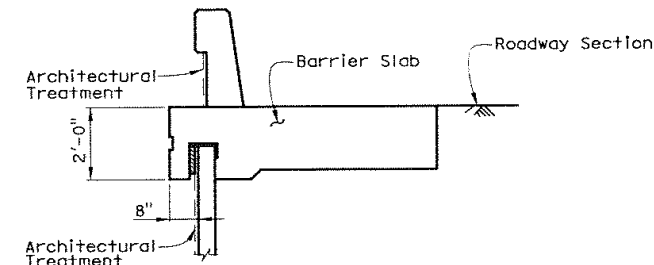
① No offset between concrete wall panel LOL and LOL of abutment return wall.



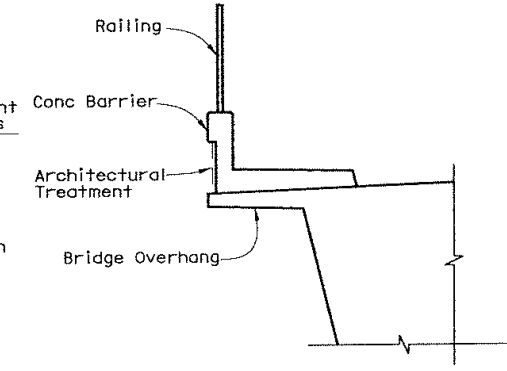
VIEW D-D
Not to Scale



SECTION B-B
No Scale

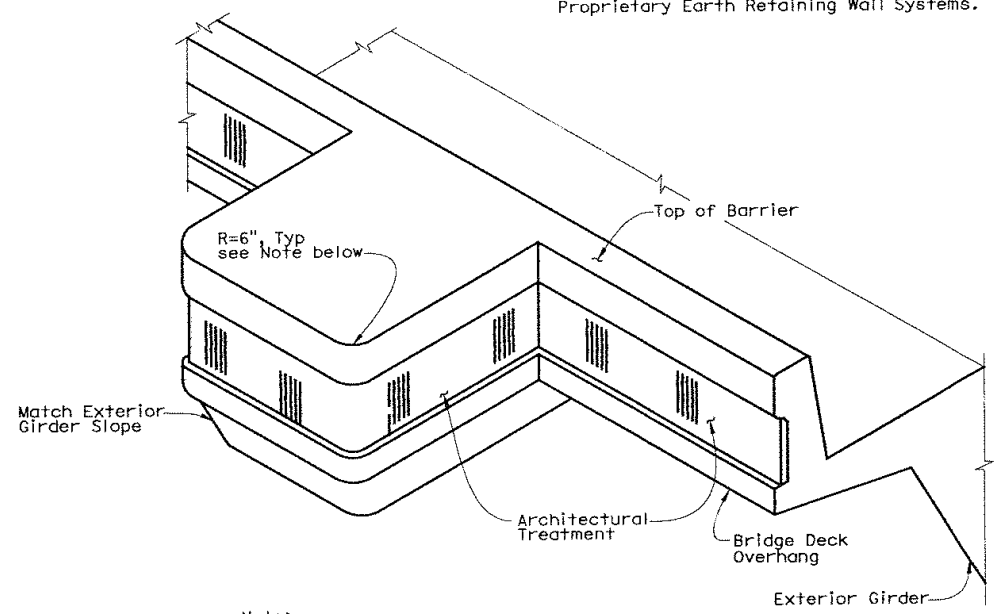


SECTION C-C
No Scale



CONCRETE BARRIER WITH SIDEWALK
Not to Scale

NOTES:
1. MSE denotes Mechanically Stabilized Embankment Type Walls or other Proprietary Earth Retaining Wall Systems.



OVERHEAD SIGN SUPPORT ON BRIDGE
Not to Scale

Note:
For I-15 Structures including Southwest Express Viaduct (15/91) corners shall be sharpened angular.

DRAFT

DIST	COUNTY	ROUTE	POST MILES TOTAL PROJECT	SHEET No	TOTAL SHEETS
08	RIV	91	0.0/10.85		

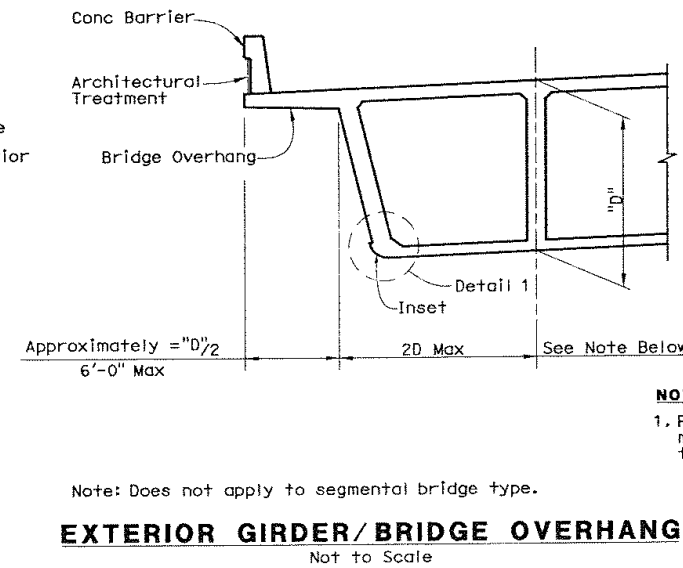
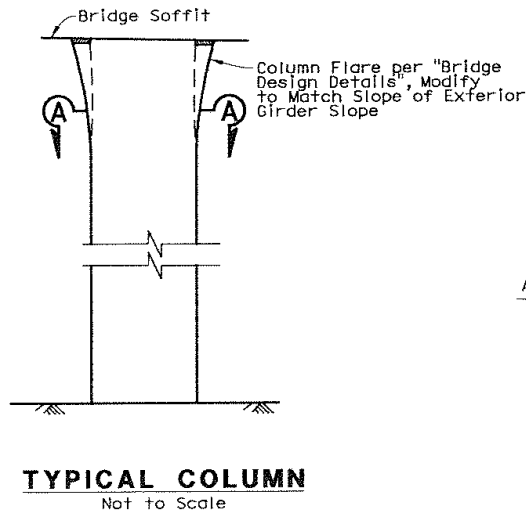
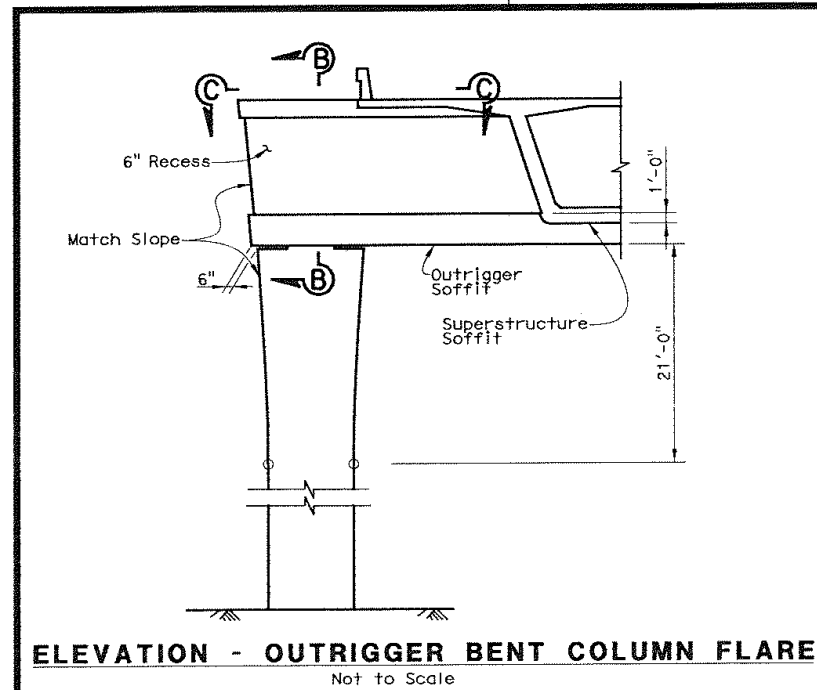
REGISTERED CIVIL ENGINEER	DATE
PLANS APPROVAL DATE	

The State of California or its officers or agents shall not be responsible for the accuracy or completeness of scanned copies of this plan sheet.

RCTC
4080 LEMON STREET
RIVERSIDE, CA 92501

PARSONS
3200 E GUASTI ROAD, SUITE 200
ONTARIO, CA 91761

DESIGN OVERSIGHT	DESIGN BY	CHECKED	PREPARED FOR THE STATE OF CALIFORNIA	BRIDGE NO.	SR-91 CORRIDOR IMPROVEMENT PROJECT
STAMP OFF DATE	DETAILS BY	CHECKED	DEPARTMENT OF TRANSPORTATION	56-XXXX	STRUCTURE AESTHETIC DETAILS No. 2
DESIGN DETAIL SHEET (ENGLISH) (REV. 06-01-09)	QUANTITIES BY	CHECKED	Mohsen Mohseni PROJECT ENGINEER	POST MILE	
			CU EA	DISREGARD PRINTS BEARING EARLIER REVISION DATES	REVISION DATES (PRELIMINARY STAGE ONLY)



DIST	COUNTY	ROUTE	POST MILES TOTAL PROJECT	SHEET No	TOTAL SHEETS
08	RIV	91	0.0/10.85		

REGISTERED CIVIL ENGINEER DATE _____

PLANS APPROVAL DATE _____

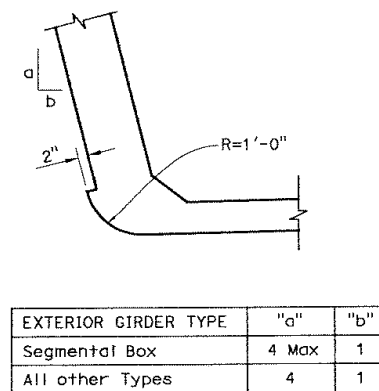
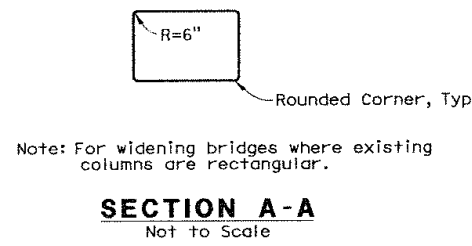
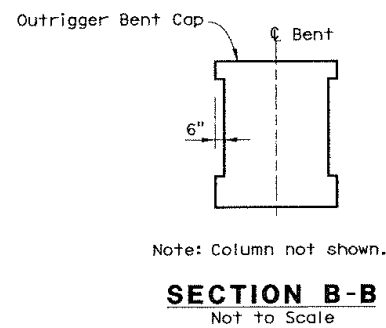
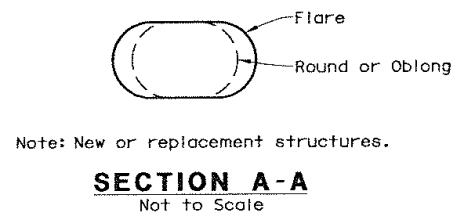
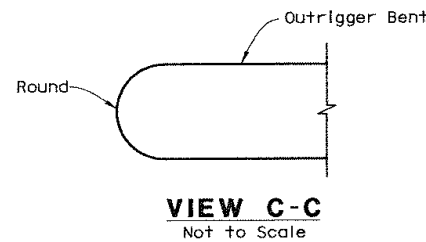
The State of California or its officers or agents shall not be responsible for the accuracy or completeness of scanned copies of this plan sheet.

RCTC
4080 LEMON STREET
RIVERSIDE, CA 92501

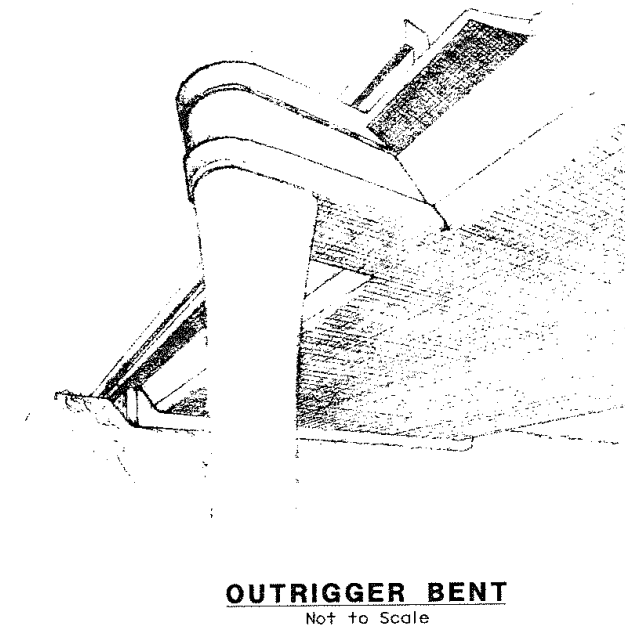
PARSONS
3200 E GUASTI ROAD, SUITE 200
ONTARIO, CA 91761

NOTE:
1. For bridge widening on one side only, match exterior girder shape to the existing one from the opposite side.

Note: Does not apply to segmental bridge type.



EXTERIOR GIRDER TYPE	"a"	"b"
Segmental Box	4 Max	1
All other Types	4	1



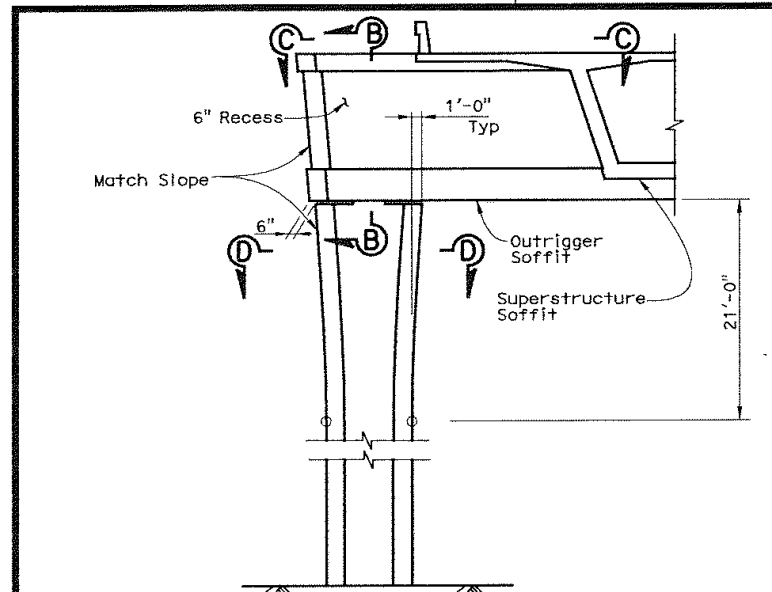
SR-91 STRUCTURES

DRAFT

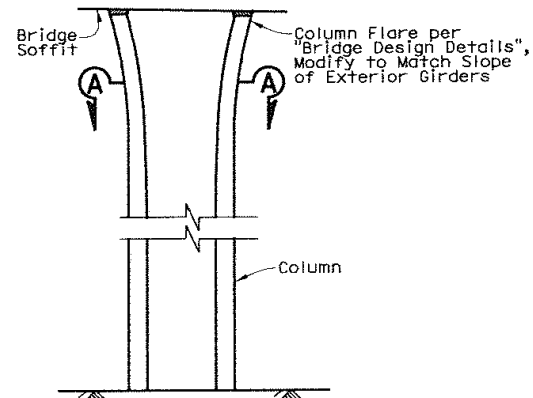
DESIGN OVERSIGHT	DESIGN BY	CHECKED	PREPARED FOR THE STATE OF CALIFORNIA DEPARTMENT OF TRANSPORTATION	Mohsen Mohseni PROJECT ENGINEER	BRIDGE NO. 56-XXXX	SR-91 CORRIDOR IMPROVEMENT PROJECT	
SIGN OFF DATE	DETAILS BY	CHECKED			POST MILE	STRUCTURE AESTHETIC DETAILS No. 3	
DESIGN DETAIL SHEET (ENGLISH) (REV. 06-01-09)	QUANTITIES BY	CHECKED		CU EA	DISREGARD PRINTS BEARING LATER REVISION DATES	REVISION DATES (PRELIMINARY STAGE ONLY)	SHEET 02

ORIGINAL SCALE IN INCHES FOR REDUCED PLANS: 0 1 2 3

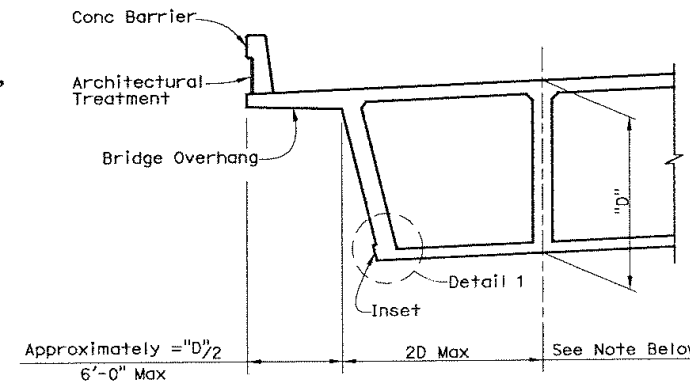
FILE => 56-0446r1-u-archdet03.dgn



ELEVATION-OUTRIGGER BENT COLUMN FLARE
Not to Scale

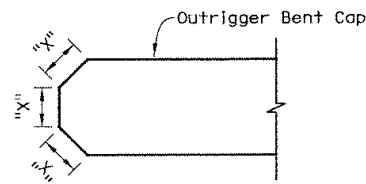


TYPICAL COLUMN
Not to Scale

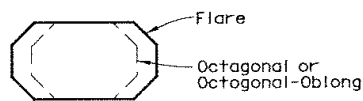


EXTERIOR GIRDER/BRIDGE OVERHANG
Not to Scale

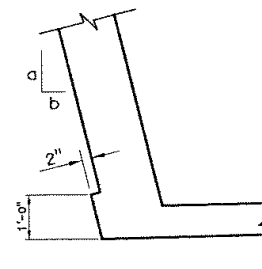
Note: Does not apply to segmental bridge type.



VIEW C-C
Not to Scale

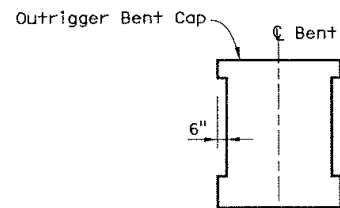


SECTION A-A
Not to Scale

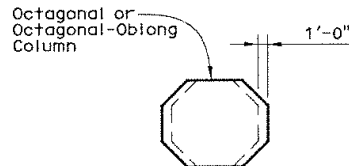


EXTERIOR GIRDER TYPE	"a"	"b"
Segmental	4 Max	1
All other Types	4	1

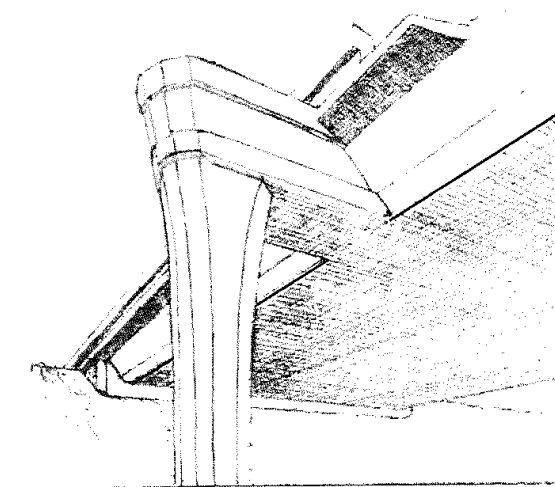
DETAIL 1
Not to Scale



Note: Column not shown.
SECTION B-B
Not to Scale



SECTION D-D
Not to Scale



OUTRIGGER BENT
Not to Scale

I-15 STRUCTURES

DRAFT

DESIGN OVERSIGHT	DESIGN BY	CHECKED	PREPARED FOR THE STATE OF CALIFORNIA DEPARTMENT OF TRANSPORTATION	Mohsen Mohseni PROJECT ENGINEER	BRIDGE NO. 56-XXXX	SR-91 CORRIDOR IMPROVEMENT PROJECT STRUCTURE AESTHETIC DETAILS No. 4
DESIGN OFF DATE	DETAILS BY	CHECKED	CU EA	FILE => 56-0446r1-u-archdet04.dgn	POST MILE	
DESIGN DETAIL SHEET (ENGLISH) (REV. 06-01-09)	QUANTITIES BY	CHECKED	ORIGINAL SCALE IN INCHES FOR REDUCED PLANS	0 1 2 3	DISREGARD PRINTS BEARING EARLIER REVISION DATES	REVISION DATES (PRELIMINARY STAGE ONLY)