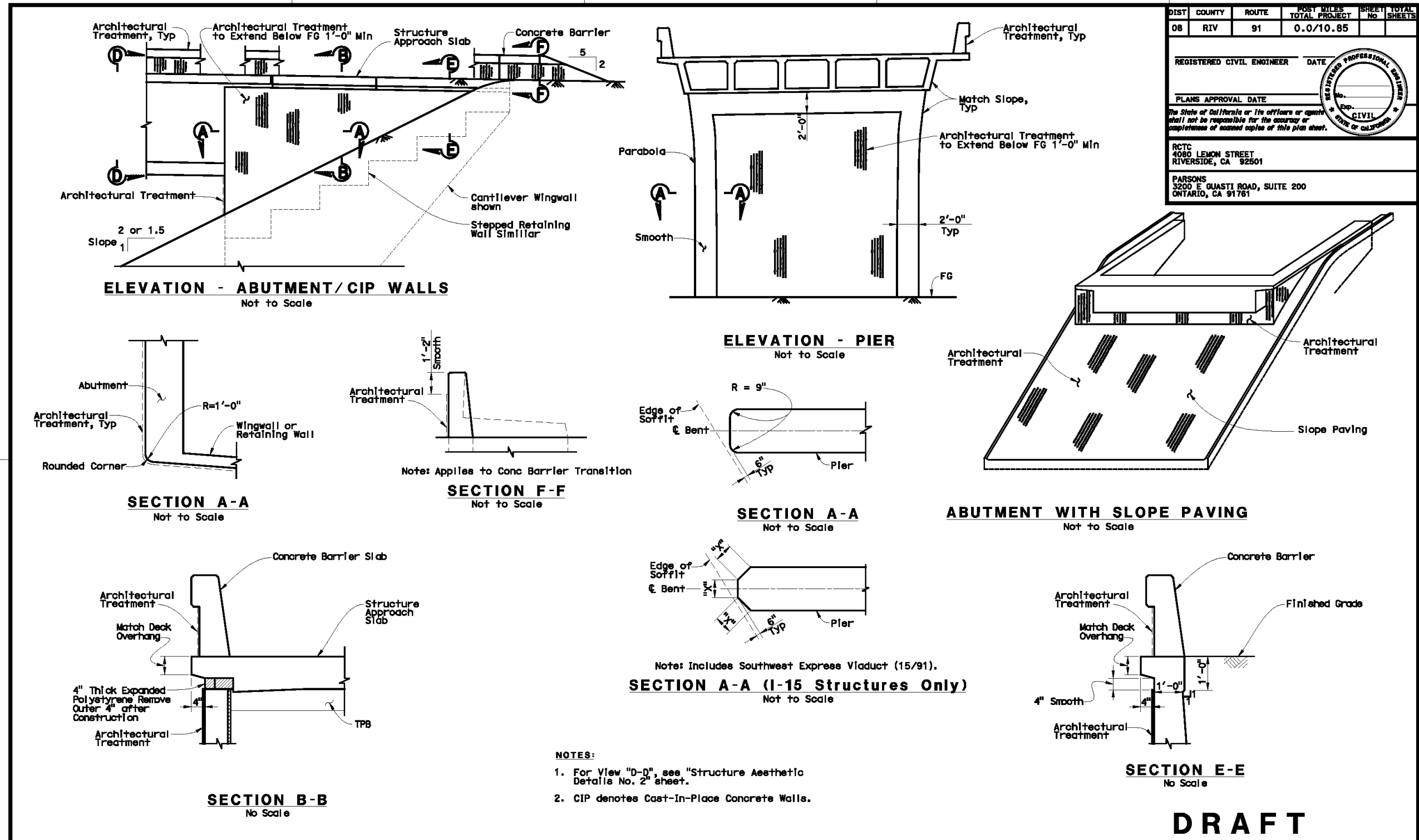
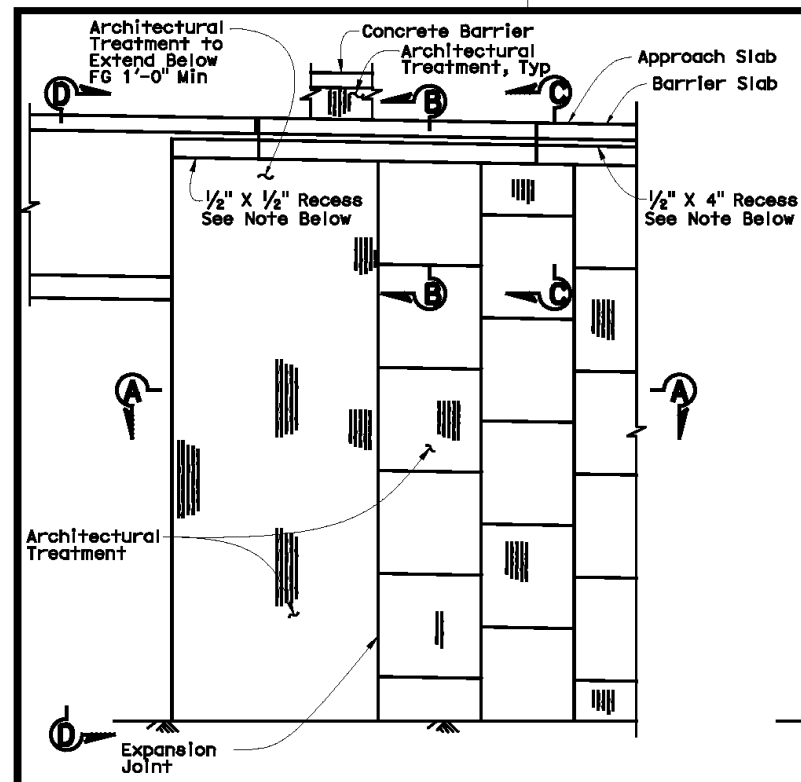

TP ATTACHMENT 14-1 – STRUCTURE AESTHETIC DETAILS

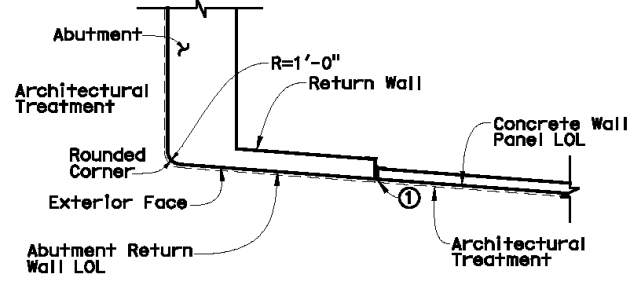


DESIGN OVERSIGHT	DESIGN BY	DRAWN BY	PREPARED FOR THE STATE OF CALIFORNIA DEPARTMENT OF TRANSPORTATION	MOHSEN MOHSEN PROJECT ENGINEER	BRIDGE NO. 56-XXXX POST MILE	SR-91 CORRIDOR IMPROVEMENT PROJECT STRUCTURE AESTHETIC DETAILS No. 1
DESIGN OFF DATE	DETAILS BY	QUANTITIES BY	CU EA	FILE => #REQUEST	REVISION DATES (PRELIMINARY STAGE ONLY)	SHEET 1 OF 1



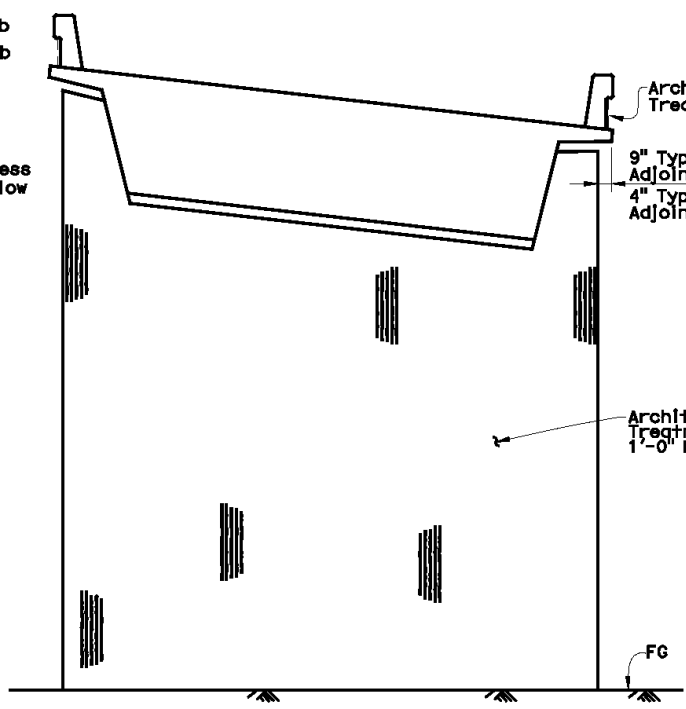
Note:
If movement rating >4", omit recess.

ELEVATION - ABUTMENT/MSE WALLS
Not to Scale

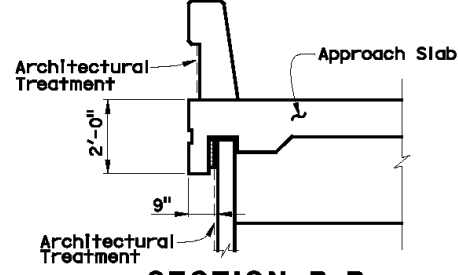


① No offset between concrete wall panel LOL and LOL of abutment return wall.

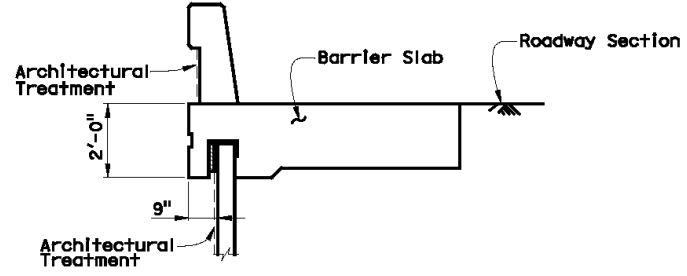
SECTION A-A
Not to Scale



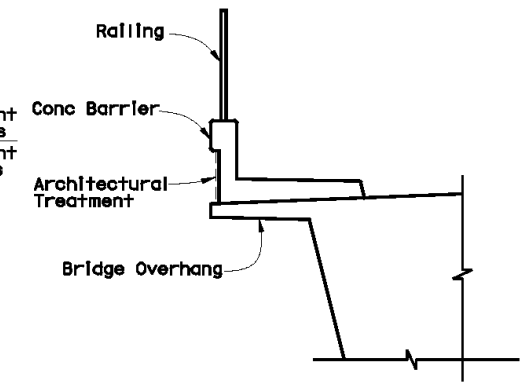
VIEW D-D
Not to Scale



SECTION B-B
No Scale

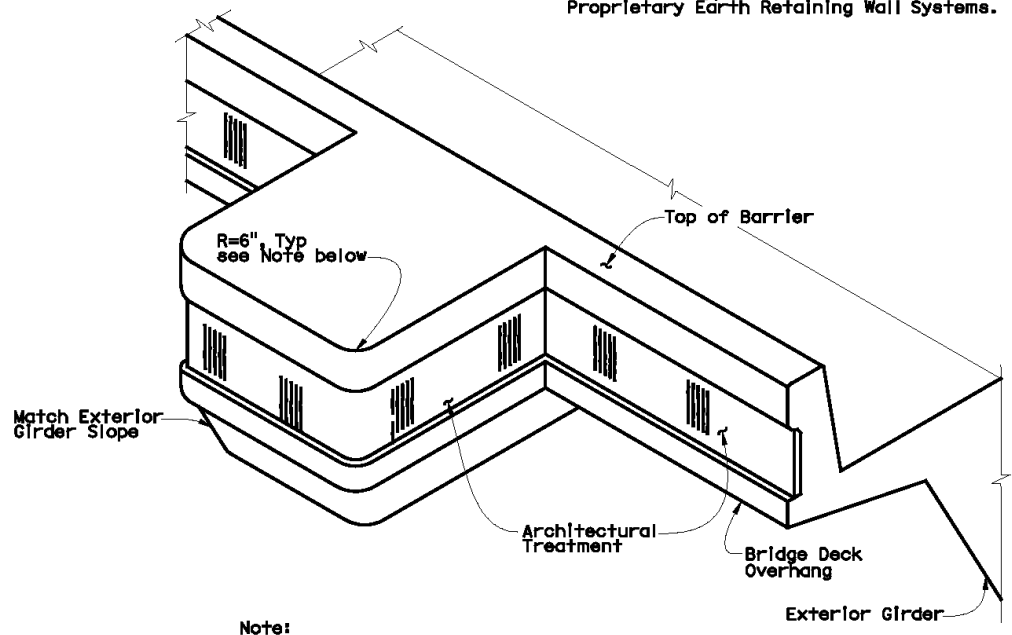


SECTION C-C
No Scale



CONCRETE BARRIER WITH SIDEWALK
Not to Scale

NOTES:
1. MSE denotes Mechanically Stabilized Embankment Type Walls or other Proprietary Earth Retaining Wall Systems.

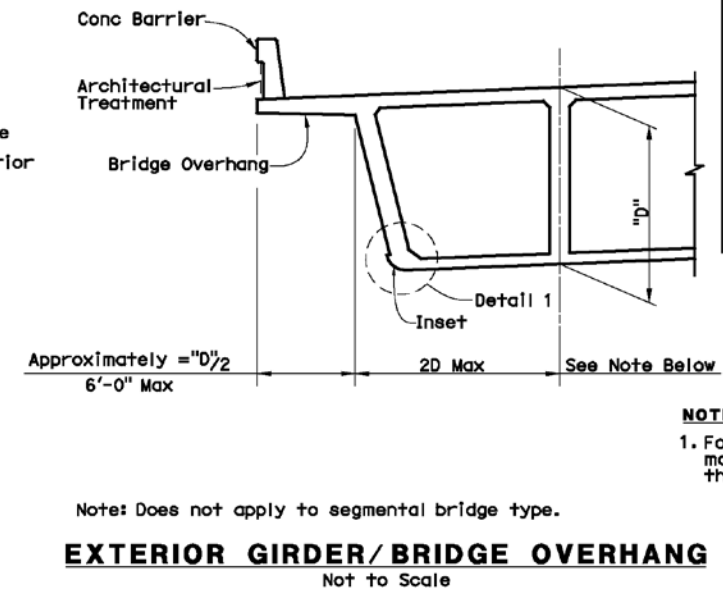
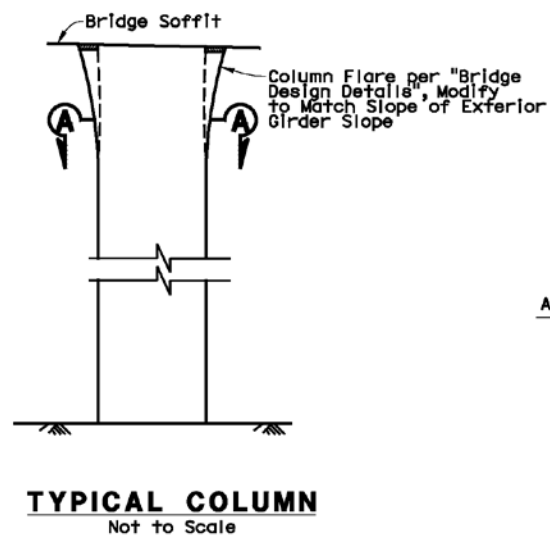
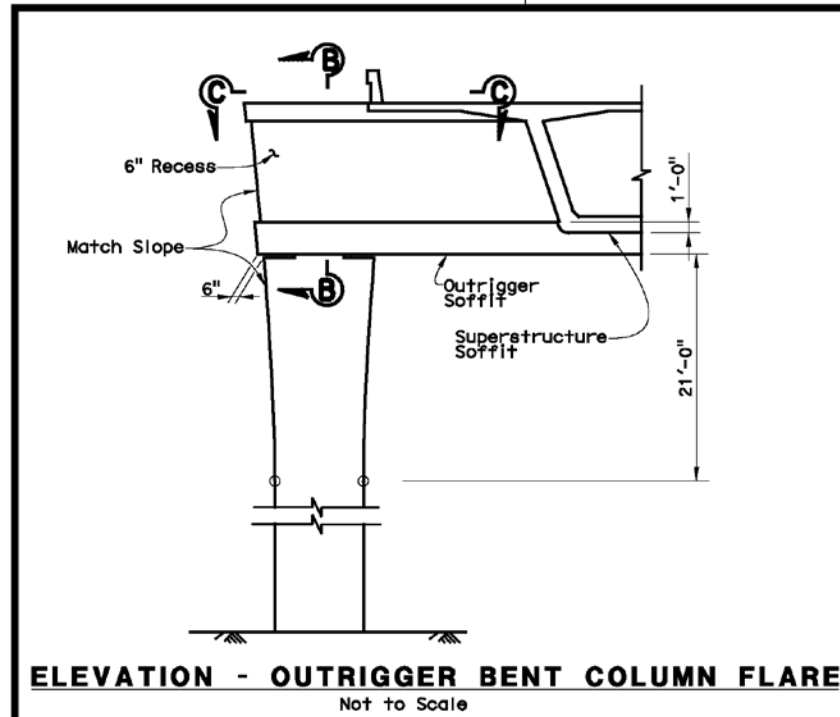


Note:
For I-15 Structures Including Southwest Express Viaduct (15/91) corners shall be sharpened angular.

OVERHEAD SIGN SUPPORT ON BRIDGE
Not to Scale

DRAFT

DESIGN OVERSIGHT	DESIGN BY	CHECKED	PREPARED FOR THE STATE OF CALIFORNIA DEPARTMENT OF TRANSPORTATION	BRIDGE NO. 56-XXXX	SR-91 CORRIDOR IMPROVEMENT PROJECT
SIGN OFF DATE	DETAILS BY	CHECKED	Mohsen Mohseni PROJECT ENGINEER	POST MILE	STRUCTURE AESTHETIC DETAILS No. 2
DESIGN DETAIL SHEET (ENGLISH) (REV. 06-01-09)	QUANTITIES BY	CHECKED	CU EA	DISPERSED PLOTTER BEARING	REVISION DATES (PRELIMINARY STAGE ONLY)



DIST	COUNTY	ROUTE	POST MILES TOTAL PROJECT	SHEET No	TOTAL SHEETS
08	RIV	91	0.0/10.85		

REGISTERED CIVIL ENGINEER DATE

PLANS APPROVAL DATE

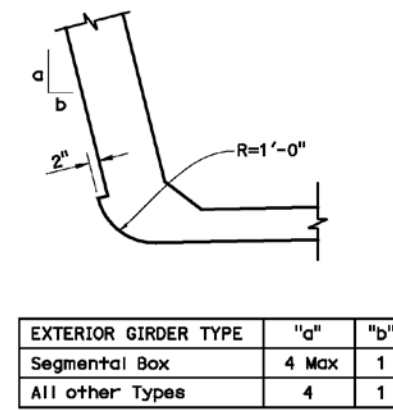
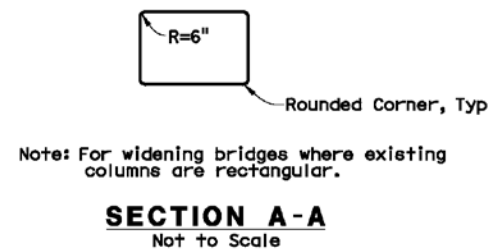
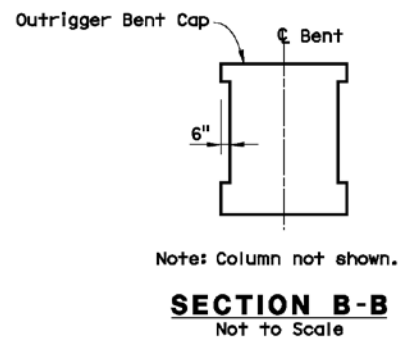
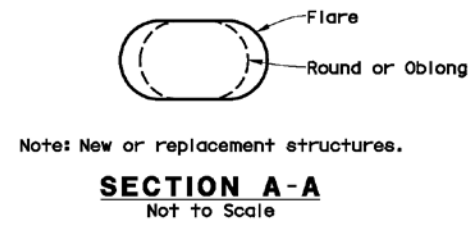
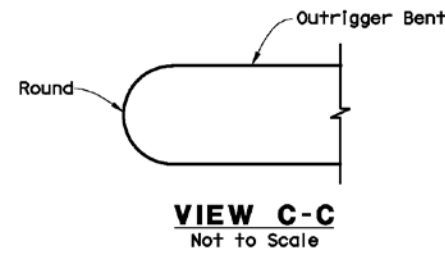
The State of California or its officers or agents shall not be responsible for the accuracy or completeness of scanned copies of this plan sheet.

RCTC
4080 LEMON STREET
RIVERSIDE, CA 92501

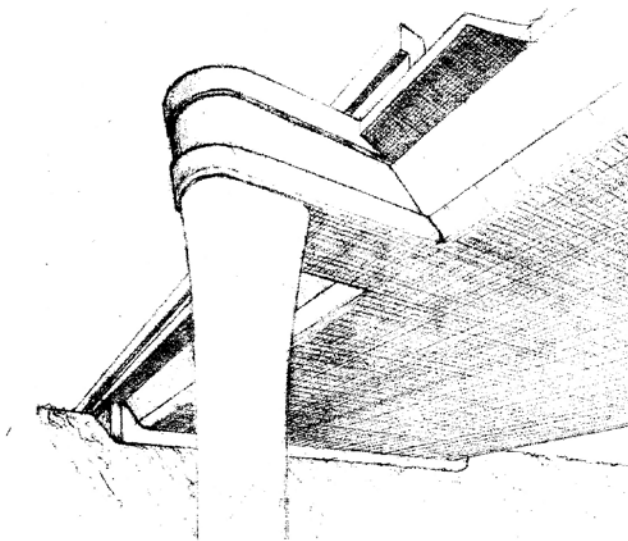
PARSONS
3200 E GUASTI ROAD, SUITE 200
ONTARIO, CA 91761

NOTE:
1. For bridge widening on one side only, match exterior girder shape to the existing one from the opposite side.

Note: Does not apply to segmental bridge type.



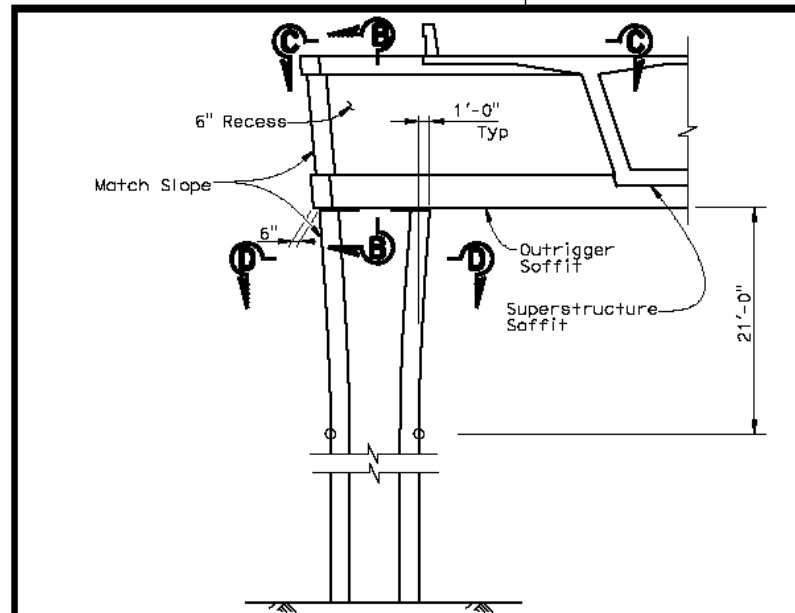
EXTERIOR GIRDER TYPE	"a"	"b"
Segmental Box	4 Max	1
All other Types	4	1



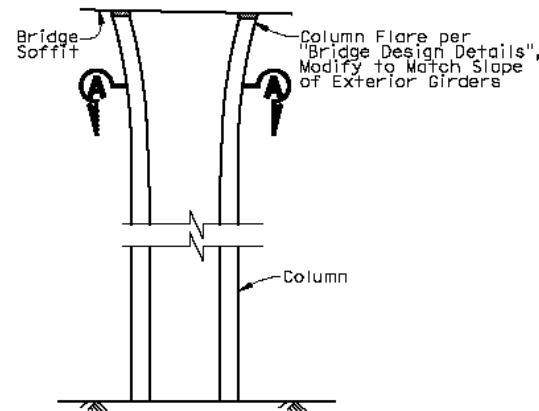
SR-91 STRUCTURES

DRAFT

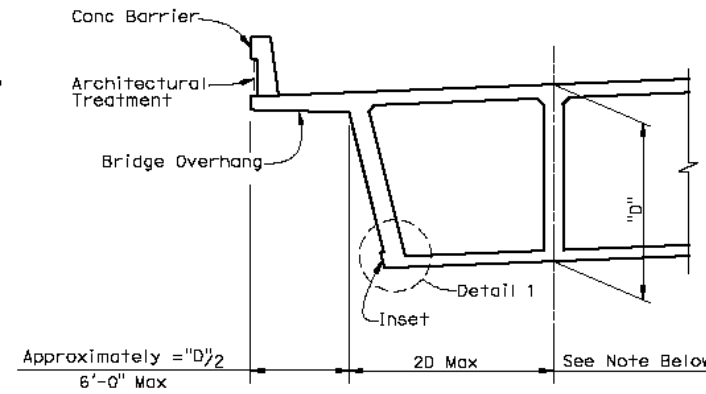
DESIGN OVERSIGHT	DESIGN BY	CHECKED	PREPARED FOR THE STATE OF CALIFORNIA DEPARTMENT OF TRANSPORTATION	MOHSEN MOHSEN! PROJECT ENGINEER	BRIDGE NO. 56-XXXX	SR-91 CORRIDOR IMPROVEMENT PROJECT
SIGN OFF DATE	DETAILS BY	CHECKED			POST MILE	STRUCTURE AESTHETIC DETAILS No.3
DESIGN DETAIL SHEET (ENGLISH) (REV. 08-01-09)	QUANTITIES BY	CHECKED	ORIGINAL SCALE IN INCHES FOR REDUCED PLANS	CU EA	DISREGARD PRINTS BEARING EARLIER REVISION DATES	REVISION DATES (PRELIMINARY STAGE ONLY)



ELEVATION-OUTRIGGER BENT COLUMN FLARE
Not to Scale

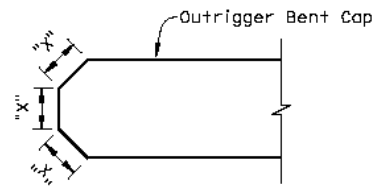


TYPICAL COLUMN
Not to Scale

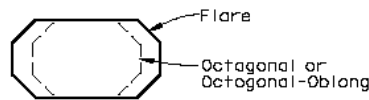


EXTERIOR GIRDER/BRIDGE OVERHANG
Not to Scale

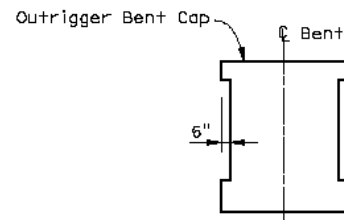
Note: Does not apply to segmental bridge type.



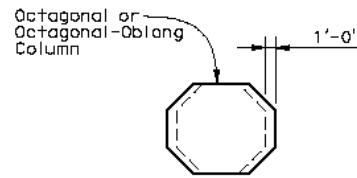
VIEW C-C
Not to Scale



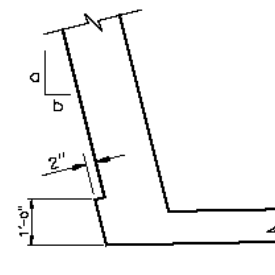
SECTION A-A
Not to Scale



Note: Column not shown.
SECTION B-B
Not to Scale

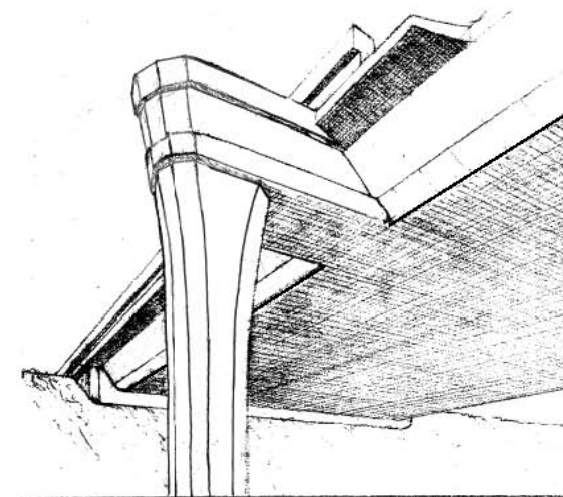


SECTION D-D
Not to Scale



EXTERIOR GIRDER TYPE	"a"	"b"
Segmental	4 Max	1
All other Types	4	1

DETAIL 1
Not to Scale



OUTRIGGER BENT
Not to Scale

DIST	COUNTY	ROUTE	POST MILES TOTAL PROJECT	SHEET No	TOTAL SHEETS
08	RIV	91	0.0/10.85		

REGISTERED CIVIL ENGINEER DATE _____

PLANS APPROVAL DATE _____

The State of California or its officers or agents shall not be responsible for the accuracy or completeness of scanned copies of this plan sheet.

RCTC
4080 LEMON STREET
RIVERSIDE, CA 92501

PARSONS
3200 E. GUASTI ROAD, SUITE 200
ONTARIO, CA 91761

NOTE:

1. I-15 structures include Southwest Express Viaduct (15/91).
2. For bridge widening on one side only, match exterior girder shape to the existing one from the opposite side.

I-15 STRUCTURES

DRAFT

DESIGN OVERSIGHT	DESIGN BY	CHECKED	PREPARED FOR THE STATE OF CALIFORNIA	BRIDGE NO. 56-XXXX	SR-91 CORRIDOR IMPROVEMENT PROJECT
SIGN OFF DATE	DETAILS BY	CHECKED	DEPARTMENT OF TRANSPORTATION	PROJECT ENGINEER Mohsen Mohseni	
DESIGN DETAIL SHEET (ENGLISH) (REV. 08-01-09)	QUANTITIES BY	CHECKED	CU EA	POST MILE	STRUCTURE AESTHETIC DETAILS No. 4

ORIGINAL SCALE IN INCHES FOR REDUCED PLANS: 0 1 2 3

DISREGARD PRINTS BEARING EARLIER REVISION DATES

REVISION DATES (PRELIMINARY STAGE ONLY)

DATE PLOTTED => DATE

USERNAME => USER